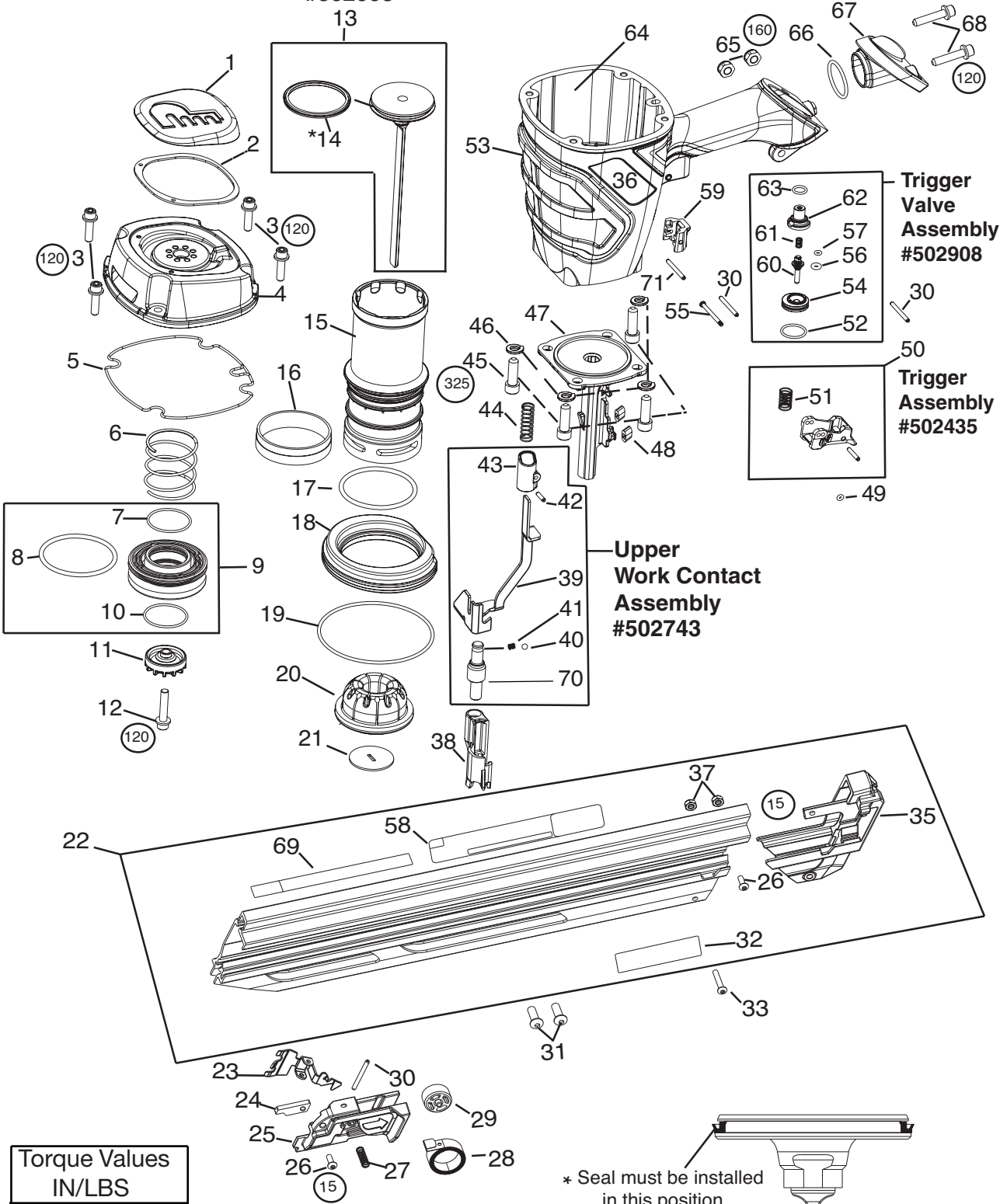
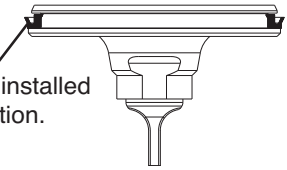


**Piston Assembly  
 #502008**



**Torque Values  
 IN/LBS**

\* Seal must be installed  
 in this position.



# PARTS LEGEND

# PowerMaster

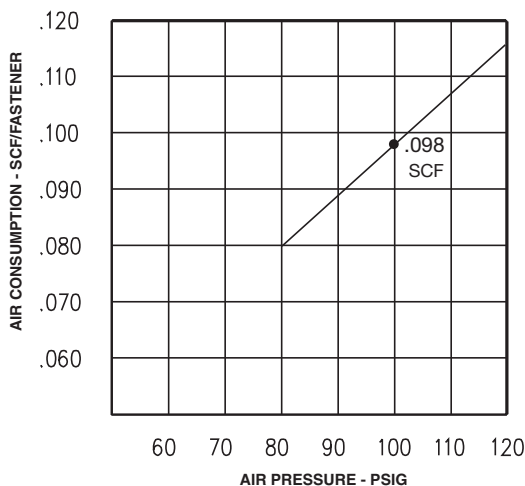
# PF350-S, B20430

1	502004	1	Air Deflector	37	404325	2	Locknut #8-32
* 2	502062	1	Air Deflector Gasket	38	502047	1	Lower W.C.E.
3	501299	4	S.H.C.S. 1/4-20 x 1"	39	502046	1	Upper W.C.E.
4	502003	1	Top Cap	40	502049	1	Detent Ball
* 5	502013	1	Top Cap Gasket	41	502061	1	Detent Spring
6	123984	1	Valve Spring	42	404361	1	Roll Pin 1/8" x 1/2"
* 7	502859	1	O-Ring	43	502050	1	Detent Body
* 8	211664	1	O-Ring	44	502055	1	W.C.E. Spring
9	502434	1	Poppet Assembly	▲ 45	009016	4	S.H.C.S. 5/16-18 x 1" with Patch
*10	198028	1	O-Ring	46	095417	4	Lock Washer 5/16
11	502056	1	Exhaust Seal	47	502006	1	Nose
▲12	502057	1	S.H.C.S. 1/4-20 x 1-1/4" w/ patch	48	502014	2	Magazine Isolator
13	502008	1	Piston Driver Assembly	* 49	502042	1	O-Ring
*14	502011	1	Piston Seal	50	502435	1	Dual Mode Trigger Assembly
15	502009	1	Sleeve	51	502060	1	Trigger Spring
16	502010	1	Check Band	* 52	092747	1	O-Ring
*17	092235	1	O-Ring	53	502035	1	Housing Label Right
18	502007	1	Bulkhead	54	502043	1	Lower Valve Spool
*19	401985	1	O-Ring	55	502041	1	Trigger Pivot Pin
*20	500866	1	Bumper	* 56	1015358	1	O-Ring
21	500729	1	Driver Blade Seal	* 57	196345	1	O-Ring
22	502807	1	Magazine Assembly	**58	502192	1	Warning Label
23	502019	1	Follower Claw	59	502033	1	W.C.E. Guide Block
24	502021	1	Lockout Bar	60	502446	1	Valve Pin with O-Rings
25	502018	1	Follower Body	61	502059	1	Valve Pin Spring
26	502031	2	B.H.C.S. #8-32 x 1/2"	62	502044	1	Upper Valve Spool
27	502020	1	Follower Spring	* 63	197913	1	O-Ring
28	502026	1	Negator Spring	64	502002	1	Housing with Grip
29	502025	1	Drum Pin Assembly	65	442681	2	Locknut 1/4-20
30	403796	3	Roll Pin 1/8" x 1-1/4"	* 66	417147	1	O-Ring
*31	502017	2	B.H.C.S. 1/4-20 x 3/4"	67	502005	1	Housing End Plug
32	502058	1	Magazine Logo Label	▲ 68	501300	2	S.H.C.S. 1/4-20 x 1-1/4"
33	502038	1	B.H.C.S. #8-32 x 1"	69	502193	1	Actuation Setting Label
35	502029	1	Magazine End Cap	70	502838	1	Thumb Wheel
36	502034	1	Housing Label Left	* 71	502723	1	Roll Pin 3/8"x1-1/4"

- \* Denotes Normal Wear Items.
- \*\* Make sure Warning Label (502192) is properly affixed.

▲ Apply Loctite 242 (Blue)

→ Denotes New Change

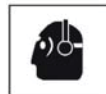


## SAFETY INSTRUCTIONS

### WEAR EYE AND HEARING PROTECTION



Always wear hearing protection and eye protection devices, including side shields when operating or working in the vicinity of a tool.



### DO NOT EXCEED MAXIMUM

### RECOMMENDED AIR PRESSURE



Operate the tool using only the recommended air pressure. Do not exceed the maximum air pressure marked on the tool. Be sure the air pressure gauge is operating properly and check it at least twice a day.



Never use any bottled air or gases such as oxygen to operate the tool since they could cause the tool to explode.