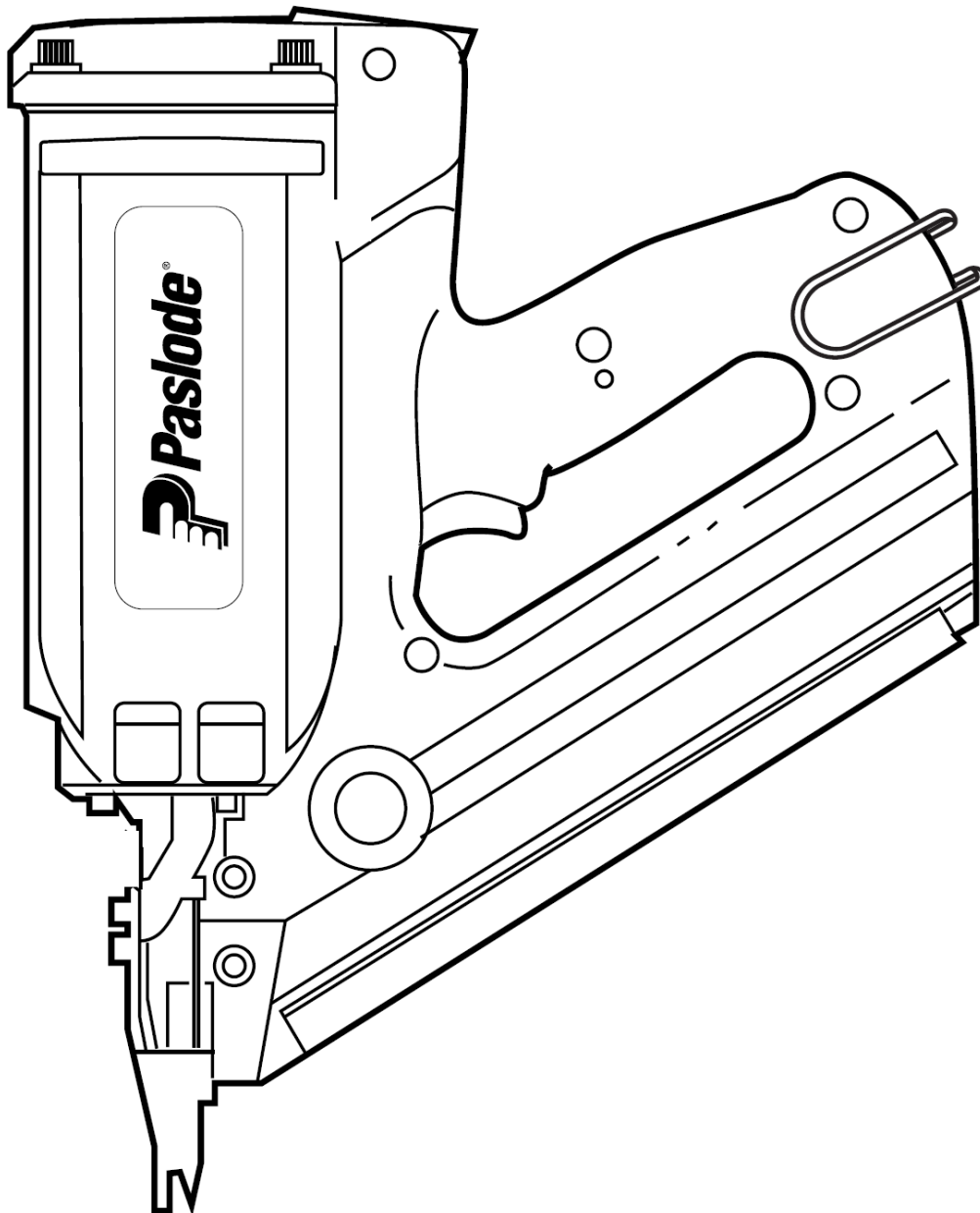




**IMPULSE
FRAMING NAILER Nc
B20544 MK1 900420**

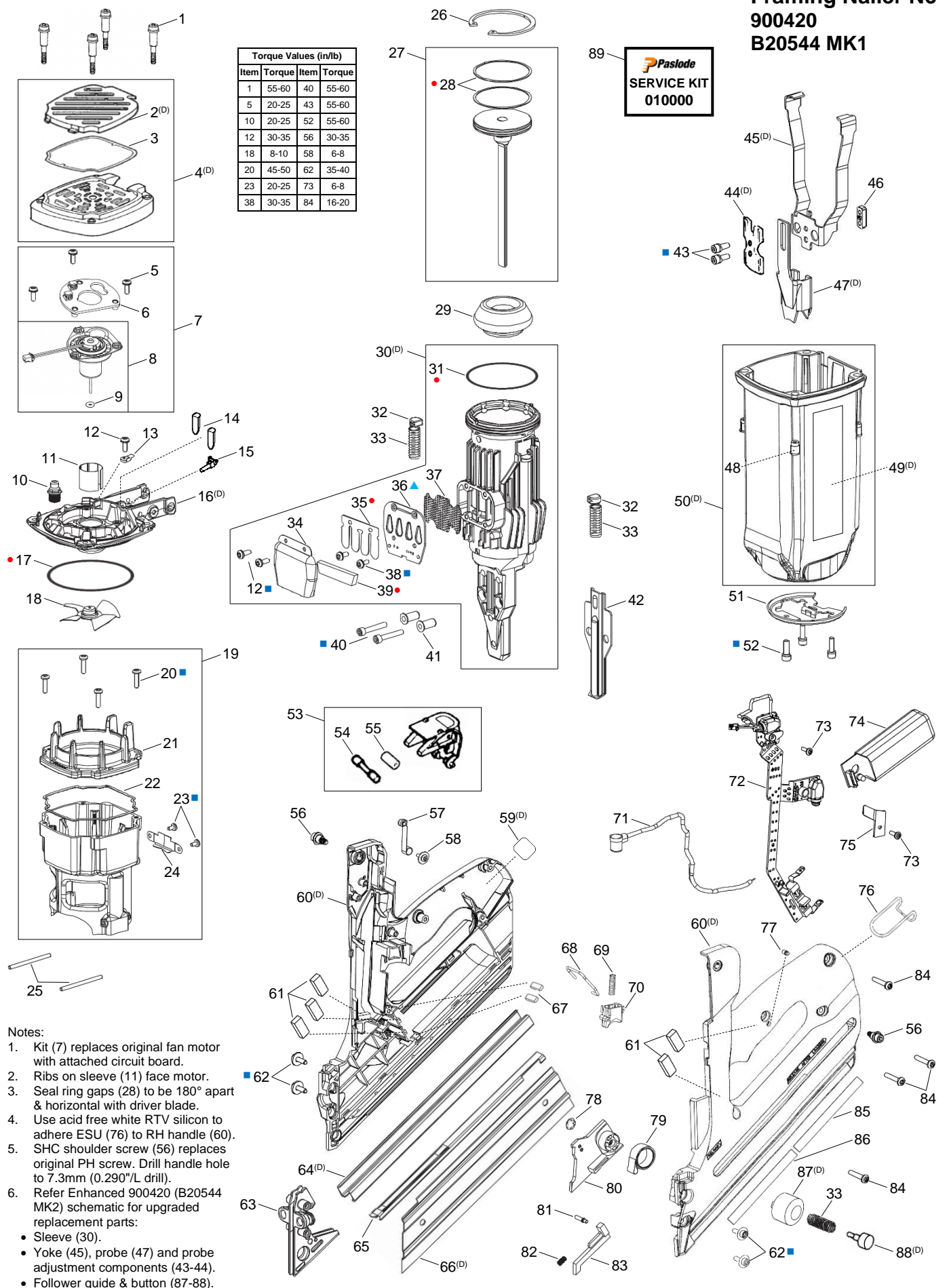


ILLUSTRATED PARTS LIST

Framing Nailer Nc 900420 B20544 MK1



Torque Values (in/lb)			
Item	Torque	Item	Torque
1	55-60	40	55-60
5	20-25	43	55-60
10	20-25	52	55-60
12	30-35	56	30-35
18	8-10	58	6-8
20	45-50	62	35-40
23	20-25	73	6-8
38	30-35	84	16-20



- Notes:
- Kit (7) replaces original fan motor with attached circuit board.
 - Ribs on sleeve (11) face motor.
 - Seal ring gaps (28) to be 180° apart & horizontal with driver blade.
 - Use acid free white RTV silicon to adhere ESU (76) to RH handle (60).
 - SHC shoulder screw (56) replaces original PH screw. Drill handle hole to 7.3mm (0.290"/L drill).
 - Refer Enhanced 900420 (B20544 MK2) schematic for upgraded replacement parts:
 - Sleeve (30).
 - Yoke (45), probe (47) and probe adjustment components (43-44).
 - Follower guide & button (87-88).

- Service Kit Item
- Loctite® 242
- ▲ Permatex® Blue 81724

All parts sold as single items unless described as a pack, set etc, or forms part of an assembly (multiple items defined within a box). ie. A part with no item number is only available in an assembly.

PARTS LEGEND

PASLODE IMPULSE FRAMING NAILER Nc

900420/B20544 MK1

1	901063	4 Screw, Shoulder SHC 10-24 x 1-1/2 (RPLS 008388, 900348, 900349)	45		UA Yoke (Discontinued)
2		NP Grill (Discontinued)	46	401380	1 Tie Bar
* 3	900315	1 Filter	47		UA Probe (Discontinued) (RPLS 404413)
4		NP Cap & Grill Assembly (Discontinued)	48	900546	4 Insert, Brass
5	900902	3 Screw TF SEMS 8-32 x 5/8 (RPLS 006562, 900596 x 3)	49		NP Label, Housing (Discontinued)
→ 6	901422	1 Circuit Board, Fan (RPLS 902638)	50		NP Housing Assembly (Discontinued)
7	219468	1 Motor Assembly Kit, Fan (RPLS 401355, 900300, 900469, 900470, 219430)	→ 51	902240	1 Ring, Retaining (Sleeve) (Black) (RPLS 404418, 900980)
8	900573	1 Motor Assembly, Fan	■ 52	900593	3 Screw SHC SEMS 10-24 x 5/8 (RPLS 004238, 004618)
9	900468	1 Washer, Motor Shaft	53	900966	1 Fuel Door/Actuator Assembly (RPLS 404444)
10	900286	1 Spark Plug Assembly	54	404433	1 Pin, Fuel Door/Actuator
* 11	401356	1 Sleeve, Fan Motor	55	404432	1 Bush, Fuel Door/Actuator
■ 12	900596	3 Screw TX SEMS 8-32 x 7/16 (RPLS 404722, 404468, 405141)	56	901222	2 Screw SHC 10-32 x 1/2 (RPLS 404477)
13	404453	1 Clamp, Spark Wire Lead	57	404448	1 Roller & Lever Assembly
14	404428	2 Push Rod	58	900597	1 Screw TF SEMS 6-19 x 3/8 (RPLS 404447, 404702 x 1)
15	401340	1 Stem Adaptor (Red)	59		NP Label, Data Plate (Discontinued)
16		NP Cylinder Head (Discontinued)	60		NP Handle Assy Kit, RH/LH (Discontinued)
* ● 17	403992	1 O-Ring, Cylinder Head	61	401450	5 Pad, Foam (Universal)
18	403167	1 Fan Blade Assembly	■ 62	900594	4 Screw SHC SEMS 8-32 x 1/2 (RPLS 013625, 404414)
19	900521	1 Combustion Chamber Assy (RPLS 404407)	63	901203	1 Shear Block (RPLS 404446, 900472, 900473, 900971)
■ 20	900969	4 Screw TX 8-32 x 5/8 (RPLS 900456)	64		Channel, Magazine (Discontinued)
21	900372	1 Ring, Combustion Chamber	65	404436	1 Channel, Nail
22	900481	1 Seal, Combustion Chamber	→ 66		NP Cover Plate, Magazine (Discontinued)
■ 23	403987	2 Screw TF 6-32 x 1/4	67	404922	2 Pad, Battery Contacts (Foam)
* 24	404412	1 Wear Plate, Chamber Lockout	68	900269	1 Lock Bar, Chamber
25	404827	2 Pin	69	404927	1 Spring, Trigger
26	401328	1 Ring, Retaining Circlip	70	404435	1 Trigger
* 27	404485	1 Driver & Piston Assembly	71	900478	1 Spark Wire Lead Assembly
* ● 28	401461	2 Ring, Piston Seal	72	900475V	1 Circuit Board Assembly (RPLS 900475)
* 29	404419	1 Bumper	73	404702	2 Screw PH TF 6-32 X 3/8
30		UA Sleeve Assembly (Discontinued)	74	900474	1 Electronic Spark Unit (ESU)
* ● 31	404482	1 O-Ring, Sleeve	75	900231	1 Retainer, Spark Wire Lead
32	404464	2 Stop, Rubber	→ 76	900289	1 Hook, Belt
33	404411	3 Spring	77	900427	1 Light Pipe (LED Lens)
34	404423	1 Cover, Muffler	78	901202	1 Ring, Retaining (RPLS 900529)
* ● 35	404424	1 Reed Valve	79	900520	1 Spring & Bush Assembly, Negator (RPLS 403981, 404443 & 901415)
▲ 36	404425	1 Reed Plate	80	403985	1 Follower
37	404426	1 Baffle, Exhaust	81	403986	1 Pin, Negator Spring
■ 38	900595	2 Screw TX SEMS 8-32 x 3/8 (RPLS 404468, 405140)	82	404457	1 Spring, Follower Lockout Bar
* ● 39	404422	1 Muffler	83	404451	1 Lockout Bar, Follower
■ 40	403816	2 Screw SHC 10-24 x 1-1/8	84	900453	4 Screw TF TX 8-16 x 7/8
41	404445	2 Bush, Shear Block	** 85	900508	1 Label, Warning (International)
42	902249	1 Wear Plate, Nose (RPLS 404417, 900975, 902223)	** 86	900497	1 Label, Warning
■ 43	900592	2 Screw SHC 10-32 x 1/2 (RPLS 009037, 004238)	87		UA Guide, Follower (Discontinued)
44		UA Stop, Probe (Discontinued)	88		UA Button, Follower (Discontinued)
			89	010000	AR Service Kit

* Normal Wear Items

** Ensure Warning Label is affixed and legible

● Included in Service Kit

■ Apply Loctite® 242 (Blue)

▲ Permatex® Ultra-Blue Gasket Sealant 81724

→ New Change

NP Non Procurable

AR As Required

UA Upgrade Available. Refer Enhanced 900420 (B20544 MK2) schematic for upgraded replacement parts



SAFETY INSTRUCTIONS

WEAR EYE AND HEARING PROTECTION



Always wear approved eye and hearing protection when operating tool. Ensure others in the near vicinity use the same protective equipment.



Use eye protection when cleaning tool.



WARNING: All parts must be periodically inspected and replaced if worn or damaged. Failure to comply can affect the tool's operation and present a safety hazard.

ACCESSORIES

Battery



Part No. B20544E
(RPLS 404717)

Battery Charger system (Australia/New Zealand)



Battery Charger Kit (Shown)

Part No. B20544B

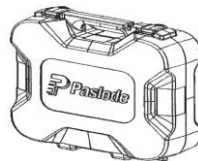
Transformer

Part No. B20544C
(RPLS 900504)

Charger Base

Part No. B20544D
(RPLS 900476)

Carry Case



Replacement Latch
(Square Case 905607)

Part No. 905607
(RPLS 404710, 902609)

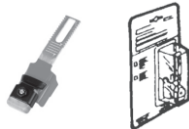
Replacement Latch
(Early Oval Case 902609)

Part No. 219463

Part No. 219233

No Mar Probe Assembly

Discontinued. Refer Enhanced 900420 (B20544 MK2) schematic for upgraded No Mar Probe. Requires upgraded Yoke and Probe adjustment components.



Replacement Rubber Tip

Part No. B20544J
(RPLS 404705)
(Discontinued)

Part No. 403369

5/32" Hex Key

For servicing and clearing jams.



Part No. 401331

T7 Torx Key

For Fan grub screw



Commercially
available

Paslode Impulse Lubricating Oil

Specially formulated for use in Paslode® Impulse tools.



Part No. B20544F
(RPLS 401482)

Impulse Tool Cleaner/Degreaser

Recommended cleaner for all Paslode®



Part No. B20544L
(RPLS 219086)



Change Notes

Revision 1-4

Item*	Part No.	Items/Description	Change	Action/Change Description
5	006562	Washer, Lock #8	Design	Obsolete – Discontinued (replaced by 900596)
8	900348	Screw SHC 10-24 x 1-1/2		Replaced by Shoulder Screw 901063
9	008388	Flat Washer		
98	900349	Bush		
15	404444	Fuel Door/Actuator	Availability	POA ¹ 15, Fuel Door/Actuator Assembly 900966
26	901235	Handle RH		Replaced by Handle Assembly Kit, RH/LH 219237 (Discontinued Rev. 5).
26A	901236	Handle LH		
28	404447	Flat Washer	Design	Obsolete for Screw 29 x 1 - Replaced by 900597
32	404477	Screw PH 10-32 x 1/2		Replaced by SHC Shoulder Screw 901222. Requires handle hole to be drilled to 7.3mm (0.290/L)
33	900465	Cap (with Bushes)	Availability	Replaced by Cap 901321
35	900453	Screw TF PH 8-16 x 7/8	Design	Changed from Philips Head (PH) to Torx (TX) Head. No PN change
36	Unknown	Danger Label		Replaced by 900508
38	013625	Screw SHC 8-32 x 1/2	Manufacturing	Replaced by 900594
39	404414	Flat Washer #8		Obsolete - Discontinued (replaced by 900594)
41	404446	Shear Block Link	Design	Replaced by 901203 (901203 also replaces 900971 for EU IM350/90CT Tool)
42	900472	Shear Block LH		
43	900473	Shear Block RH		
55	404719	Sleeve Assembly (O-Ring Seal)	Availability	Discontinued. Refer Enhanced 900420 (MK2) schematic for Sleeve Assembly with steel sealing rings upgrade.
60	404468	Lock Washer	Manufacturing	Obsolete for SEMS Screw 84 x 2 - Replaced by 900596 Obsolete for SEMS Screw 87 x 2 - Replaced by 900595
61	404722	Screw TF TX 8-32 x 7/16		Replaced by 900596 (SEMS).
64	404417	Nose Wear Plate	Design	Replaced by 900975 (Superceded).
	900975			Replaced by 902223 (Superceded Rev. 5).
66	404413	Probe		Replaced by 900982 (Discontinued Rev. 5).
67	009037	Screw SHC 10-32 x 1/2	Manufacturing	Replaced by 900592 (SEMS).
72	404390	Label, Housing (Impulse)	Design	Replaced by 901263 (Discontinued Rev. 5).
73	404418	Sleeve Retaining Ring		Replaced by 900980 (Silver)
74	004618	Screw SHC 10-24 x 5/8	Manufacturing	Replaced by 900593 (SEMS).
76	403981	Bush		Replaced by 900520
77	404443	Negator Spring		
80	900529	Retaining Ring	Design	Replaced by 901202
83	401450	Pad, Universal (Foam)		Added 3 x Pads: 2 x Battery stops & 1 x RH Handle (above item 77).
84	405141	Screw TX 8-32 x 7/16	Manufacturing	Replaced by 900596
85	900334	Probe Stop	Design	Replaced by 900983 (Discontinued Rev. 5).
88	900456	Screw TX 8-32 x 5/8		Replaced by 900969
92	404407	Combustion Chamber Housing	Availability	POA 19, Combustion Chamber Assembly 900521
93	405140	Screw TX SEMS 8-32 x 3/8	Manufacturing	Replaced by 900595
94	004238	Lock Washer #10		Obsolete for Screw 74 x 3 - Replaced by 900593 Obsolete for Screw 67 x 2 - Replaced by 900592
95	900495	Data Plate Label		Replaced by 901260 (Discontinued Rev. 5).
99	900546	Brass Insert	Availability	Added for reference
100	900597	Screw PH TF SEMS 6-19 x 3/8	Design	Introduced to replace 404702 x 1

¹ POA - Purchase on Assembly

*Item numbering refers to previous revisions

Revision 5

Item	Part No.	Items/Description	Change	Action/Change Description	
3*	900469	Fan Motor Assembly Kit	Design	Replaced by item 7, integrated Fan Motor and Mount Assembly Kit 219430 (Superceded).	
4*	900300	Retaining Ring (Flat)			
6*	900470	Motor Mount			
7*	401355	Retaining Ring (Curved)			
61*	900596	Screw 7/16 (Motor Mount x 3)			
7	219430	Fan Motor Assembly Kit	Enhancement	Replaced by 219468 (Circuit Board 902638 upgrade).	
2	900320	Grill	Availability	Discontinued	
4	901321	Cap & Grill Assy (RPLS 900465)			
6	901422	Fan Circuit Board	Design	Introduced to replace the circuit board integrated with the Fan Motor (Superceded).	
				Replaced by 902638 (incorporates circuit resistor). Superceded, re. revision 6 for reinstatement of 901422.	
8	900573	Fan Motor Assembly	Availability	PN added to provide availability for tools previously incorporated with Kit 219430 or 219468.	
16	900471	Cylinder Head		Discontinued	
41	404445	Bush, Shear Block	Design	Greater Rockwell Hardness. No PN change. Requirement for B20543P only.	
42	902223	Nose Wear Plate		Replaced by 902249	
44	900983	Probe Stop	Availability	Discontinued. Refer Enhanced 900420 (MK2) Schematic for manual probe adjustment upgrade parts.	
45	404410	Yoke (with serrations)			
47	404413	Probe			
49	901263	Label, Housing			
50	404704	Housing Assembly			
59	901260	Data Plate Label			
60	219237	Handle Assy Kit, RH/LH			
64	404442	Magazine Channel			
69*	900425	Cable Clamp			Obsolete – Discontinued (moulded to 900475V)
72	900475	Circuit Board Assembly			Manufacturing
79	901415	Negator Spring & Bush Assy	Manufacturing	Replaced by 900520 (PN change to 901415 revoked)	
87	403984	Follower Guide	Availability	Discontinued. Refer Enhanced 900420 (MK2) Schematic for Follower Guide upgrade parts.	
88	900297	Follower Button			
89	010000	Service Kit			Added to schematic.
Acc.	900507	12V Car Adaptor (ALT B20544H)			Discontinued
Acc.	404717	No Mar Probe Assy (ALT B20544J)			Discontinued. Refer Enhanced 900420 (MK2) schematic for upgraded No Mar Probe. Requires upgraded Yoke and Probe adjustment components.
Acc.	404710	Carry Case	Design	Replaced by 902609 (Superceded).	
Acc.	902609		Replaced by 905607		
Acc.	402510	Safety Glasses (Clear)	Availability	Discontinued (commercially available).	
Acc.	402512	Safety Glasses (Tinted)			
N/A	Various	Assemblies/Flag Notes	Schematic	Complete layout re-design & re-numbering for clarity Defined available ANZ assemblies Added Service Kit & Kit item flags Added Loctite® flags Added discontinued part (D) flags	
N/A	Various	Parts/Notes	Parts Legend	Removed obsolete parts Reverted to original Sleeve configuration for clarity Added Enhanced 900420 upgrade references (UA) Added Service Kit & Kit item flags Updated PN changes Adopted conventional naming Adopted ANZ conventional safety symbols Updated Loctite® and item usage Added Loctite® and Permatex® flags	
N/A	Various	Accessories	Accessories	Defined available ANZ Accessories - Deleted 12V Power Adaptor B20544H - Updated Carry Case PN & added Latch PNs - Added replacement No Mar Rubber Tip PN	

¹ POA - Purchase on Assembly

*Item numbering per previous revision

Revision 6

Item*	Part No.	Items/Description	Change	Action/Change Description
6	902638	Fan Circuit Board	Design	Replaced by 901422 (reverted back). Original configuration compatible with latest ECU revisions. Note that Kit part number 219468 will not change as a result.
51	900980	Sleeve Retaining Ring (Silver)		Replaced by 902240 (Black)
66	404441	Magazine Cover Plate	Availability	Discontinued
76	901251	Belt Hook		Removed all references to Belt/Rafter Hook 901251 as an upgrade due item discontinued. 900289 reinstated as a substitute.