

# DUO-FAST

**NAILERS STAPLERS FASTENERS**

## SUPER SureShot D60040 / CS-5000

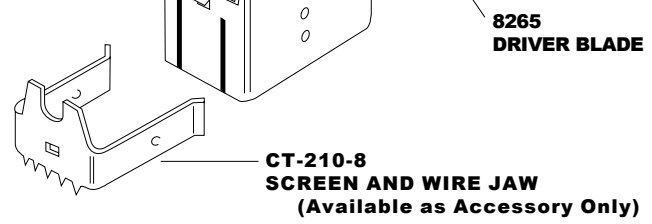
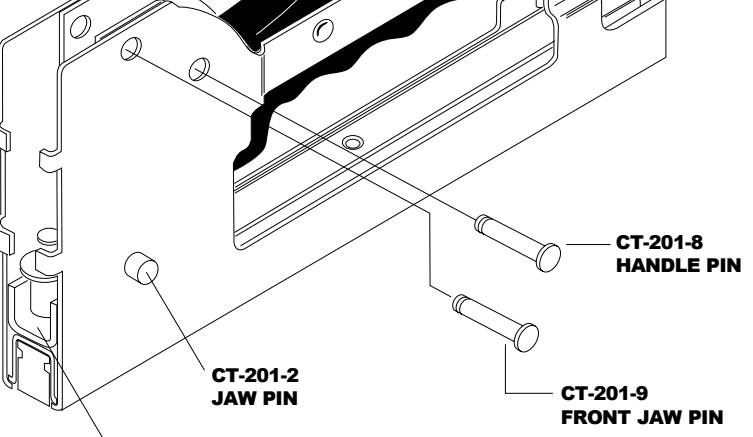
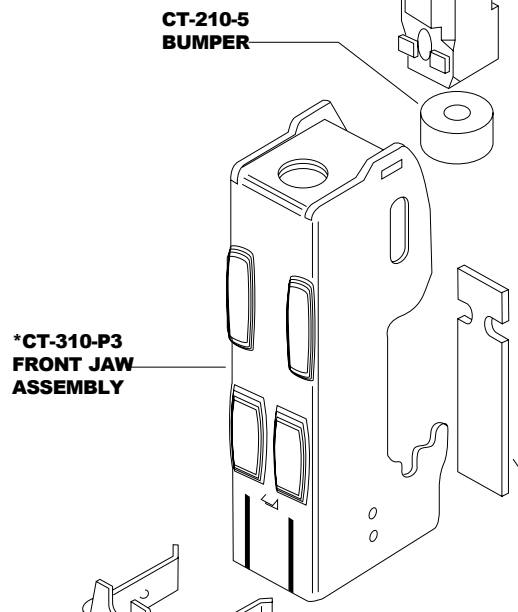
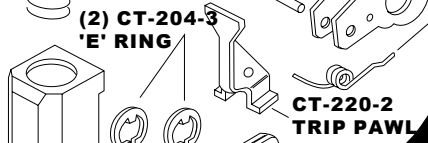
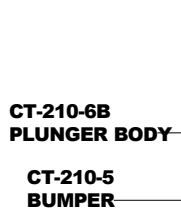
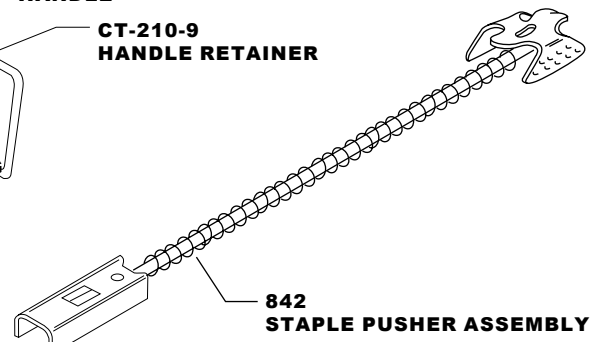
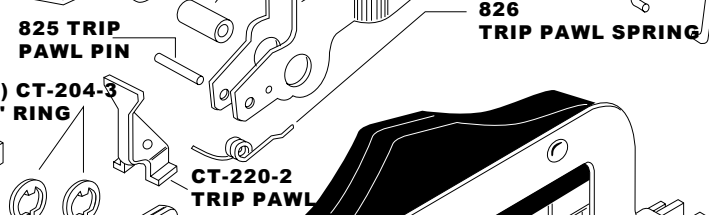
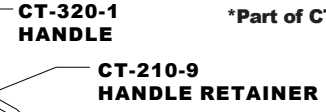
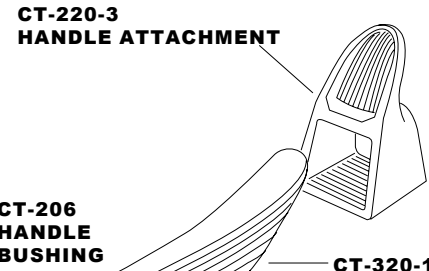
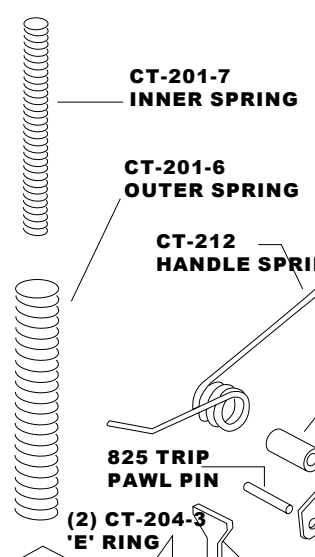
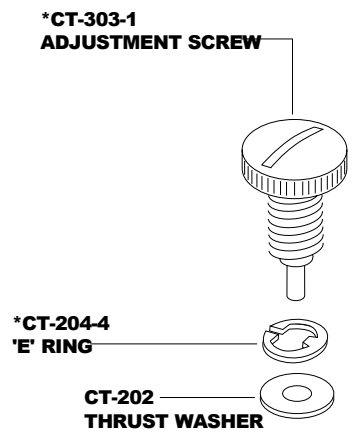
1011916  
DUO-FAST CORPORATION  
AN ITW COMPANY  
2400 GALVIN DRIVE  
ELGIN, ILLINOIS 60123-7883  
U.S.A.

08/02

© 2002 DUO-FAST Corporation

CS-186-5000

\*Part of CT-310-P3



**Always Wear Safety Glasses**



**When Using Power Tools**  
XA-1011 CLEAR  
XA-1022 TINTED

▲ DENOTES CHANGE

**TOOLS MUST BE REPAIRED ONLY WITH FACTORY AUTHORIZED PARTS**  
**SIEMPRE REPARE LAS HERRAMIENTAS SOLAMENTE CON PARTES DE REPUESTO AUTORIZADAS POR DUO-FAST**

# CS-5000

<u>UNIQUE #</u>	<u>PART NO.</u>	<u>DESCRIPTION</u>	<u>REPLACES</u>
0381632	825	TRIP PAWL PIN	_____
0381640	826	TRIP PAWL SPRING	_____
0381905	842	STAPLE PUSHER ASSEMBLY	_____
0386664	8265	DRIVER BLADE	_____
0437814	CT-201-2	JAW PIN	_____
0437855	CT-201-6	OUTER SPRING	_____
0437863	CT-201-7	INNER SPRING	_____
0441790	CT-201-8	HANDLE PIN	_____
0178111	CT-201-9	FRONT JAW PIN	_____
0437871	CT-202	THRUST WASHER	_____
0437822	CT-204-3	E-RING	_____
0437830	CT-204-4	E-RING	_____
0437897	CT-206	HANDLE BUSHING	_____
0442434	CT-210-5	BUMPER	_____
0236588	CT-210-6B	PLUNGER BODY	_____
0178129	CT-210-9	HANDLE RETAINER	_____
0437947	CT-212	HANDLE SPRING	_____
0438275	CT-215	PLUNGER GUIDE ASSEMBLY	_____
0437962	CT-220-2	TRIP PAWL	_____
0455733	CT-220-3	HANDLE ATTACHMENT	_____
1011912	CT-303-1	ADJUSTMENT SCREW	_____
1011913	CT-320-1	HANDLE	_____
1011917	XH-108-80	MODEL LABEL	_____
<b>ACCESSORIES</b>			
0440925	CT-210-8	SCREEN AND WIRE JAW	_____
1014271	* CT-310-P3	* FRONT JAW ASSEMBLY	<u>CT-310-4</u>

\* = NEW PART

> = PART CHANGE

D60040 / CS-5000

08/02 (6) GC