



**IMPULSE IM40
PPN-MASTER
B60001**

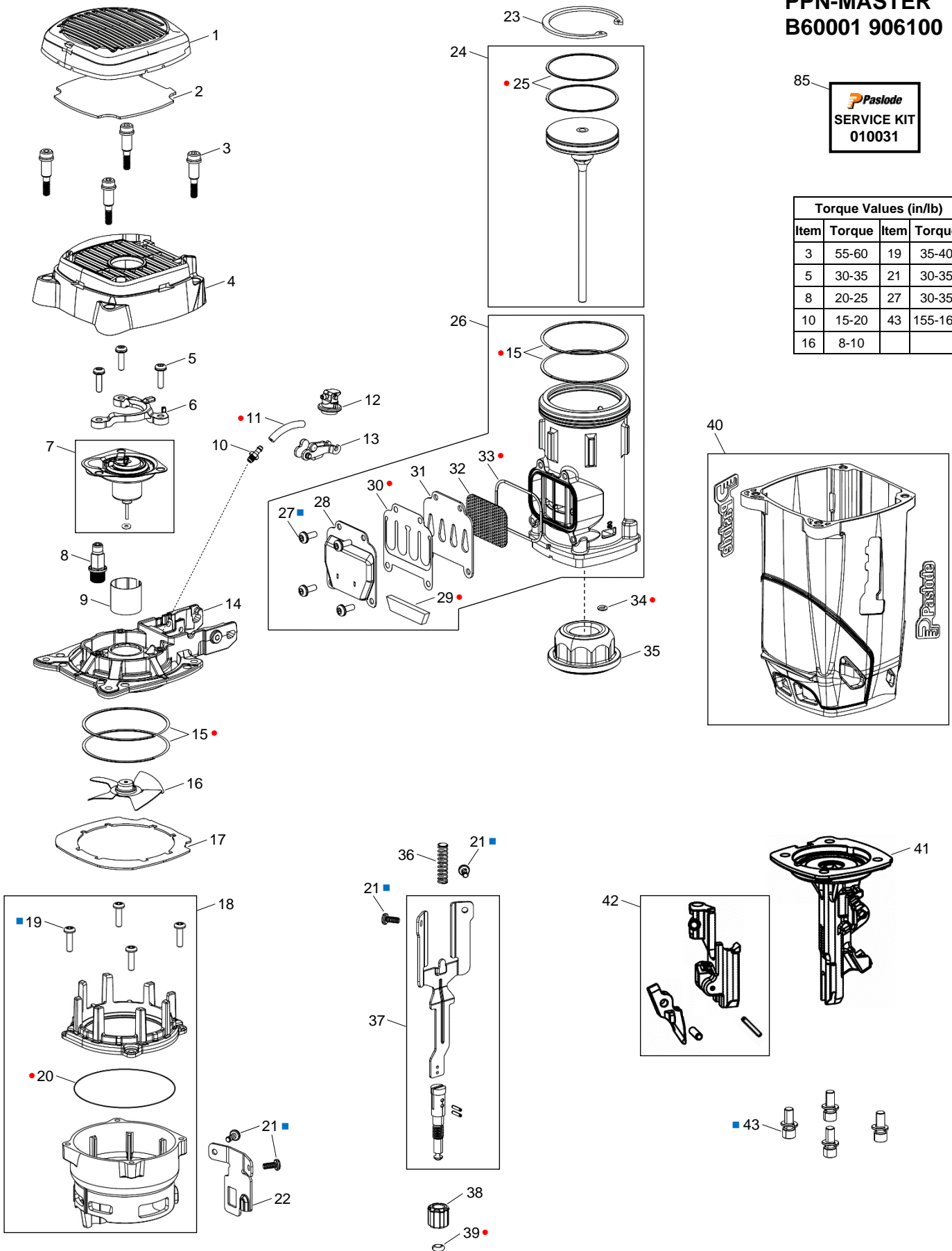


ILLUSTRATED PARTS LIST

PASLODE IM40 PPN-MASTER B60001 906100



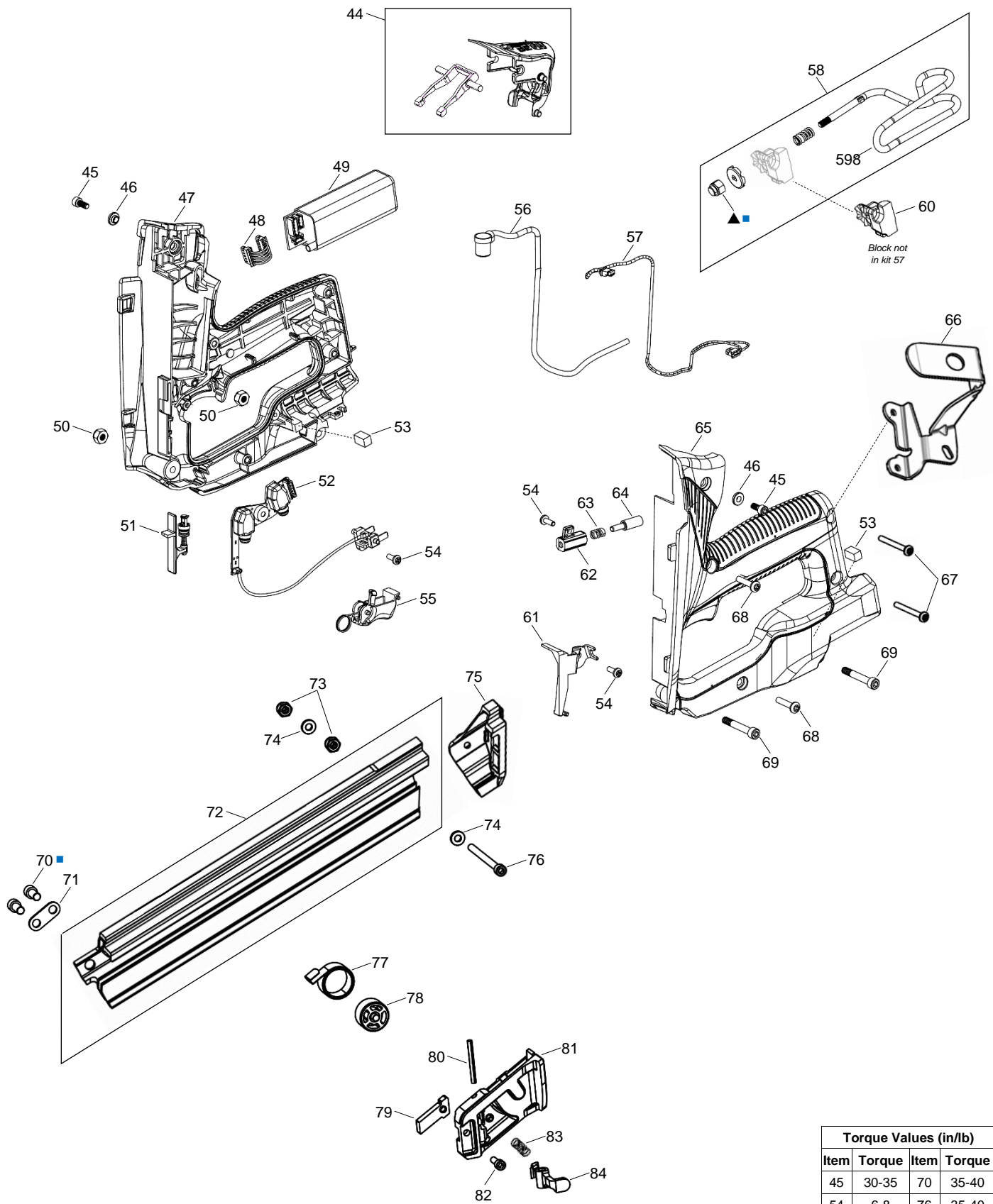
Torque Values (in/lb)			
Item	Torque	Item	Torque
3	55-60	19	35-40
5	30-35	21	30-35
8	20-25	27	30-35
10	15-20	43	155-165
16	8-10		



- Service Kit Item
- Loctite® 242

All parts sold as single items unless described as a pack, set or forms part of an assembly (multiple items defined within a box). A part with no item number is only available in an assembly.

PASLODE IM40 PPN-MASTER B60001 906100



Block not
in kit 57

Torque Values (in/lb)			
Item	Torque	Item	Torque
45	30-35	70	35-40
54	6-8	76	35-40
67	18-22	82	18-22
68	18-22	▲	55-65
69	25-30		

● Service Kit Item
■ Loctite® 242

All parts sold as single items unless described as a pack, set or forms part of an assembly (multiple items defined within a box). A part with no item number is only available in an assembly.

PARTS LEGEND

PASLODE IM40 POSITIVE PLACEMENT NAILER

B60001

1	919042	1 Grill	44	919153	1 Fuel Door Assembly
* 2	900455	1 Filter	45	919116	2 Screw SHC 8-32 x 3/8
3	901065	4 Screw SHC 10-24 x 1-1/4	46	919115	2 Bush
4	919040	1 Cap	47	919130	1 Handle RH
5	900902	3 Screw TF SEMS 8-32 x 5/8	48	900662	1 Wire Harness, ESU
6	902637	1 Limiter	49	916258	1 Electronic Spark Unit (ESU)
7	902644	1 Motor Assembly, Fan	50	919092	2 Nut, Nyloc 10-24
8	900287	1 Spark Plug Assembly	51	901095	1 Slide Switch Assembly
9	401356	1 Sleeve, Fan Motor	52	919068	1 Circuit Board Assembly
10	904517	1 Fuel Barb	53	918903	2 Pad, Foam (Battery)
● 11	904546	1 Fuel Tube	54	404702	3 Screw TF 6-19 x 3/8
12	902405	1 Fuel Block	55	919120	1 Trigger Assembly
13	904521	1 Pivot Arm, Fuel Tube	56	903728	1 Wire Lead Assembly, Spark
14	919126	1 Cylinder Head	57	919063	1 Wire Lead Assembly, Fan Motor
* ● 15	919067	4 Seal Ring, Cylinder Head and Sleeve	58	919075A	1 Hook Assembly Kit, Belt/Rafter
16	403167	1 Fan Blade Assembly	59	919075	1 Hook, Belt/Rafter
17	919048	1 Air Dam	60	919077	1 Block, Belt/Rafter Hook
18	919132	1 Combustion Chamber Assembly	61	904532	1 Retainer, Trigger & Wire Lead
■ 19	900969	4 Screw 8-32 x 5/8	62	904705	1 Housing, Lockout Pin
* ● 20	919045	1 O-Ring	63	919217	1 Spring, Lockout
■ 21	919065	4 Screw TX SEMS 8-32 x 1/4	64	919215	1 Pin, Lockout
22	919213	1 Bracket, Chamber Lockout	65	906129	1 Handle LH
23	919004	1 Ring, Retaining Circlip	66	906118	1 Belt Hook
* 24	906120	1 Driver & Piston Assembly	67	906114	2 Screw, Belt Hook/Handle
* ● 25	900612	2 Seal Ring, Piston	68	901066	2 Screw TF TX 8-16 x 3/4
26	919125	1 Sleeve Assembly	69	919093	2 Screw 10-24
■ 27	900595	4 Screw TX SEMS 8-32 x 3/8	■ 70	502338	2 Screw SHC 1/4-28 UNF X .5
28	919010	1 Cover, Muffler	71	502323	1 Washer Plate, Magazine
* ● 29	919049	1 Muffler	72	906215	1 Magazine Assembly
* ● 30	919009	1 Reed Valve	73	092037	2 Nut, lock
31	919011	1 Reed Plate	74	408302	2 Washer, Flat
32	919016	1 Baffle, Exhaust	75	502329	1 End Cap, Magazine
* ● 33	919014	1 Seal, Exhaust	76	906150	1 Bolt SHC 10-32 x 1
* ● 34	919017	1 O-Ring	77	502226	1 Spring, Negator
* 35	919012	1 Bumper	78	502025	1 Drum & Pin Assembly
36	919046	1 Spring, Yoke	79	502335	1 Lockout Bar
37	919123	1 Yoke Assembly	80	502340	1 Pin, Roll
38	018956	1 Wheel, Depth Adjustment	81	502318	1 Body, Follower
● 39	919110	1 O-Ring, Retaining	82	500627	1 Screw SHC 8-32 x 1/2
40	919142	1 Housing Assembly	83	502020	1 Spring, Follower
41	906102	1 Nose	84	513101	1 Lever, Follower
42	906141	1 Probe Assembly	85	010031	AR Service Kit
■ 43	919108	4 Screw SHC SEMS 1/4-20 x 7/8			

* Normal Wear Item

● Included in Service Kit

■ Apply Loctite® 242 (Blue)

AR As Required

**Remove battery & fasteners before commencing service.****Use eye and ear protection when operating/testing tools.****Use eye protection when cleaning tools.****Use degreaser in a well ventilated area.****WARNING: All parts must be periodically inspected and replaced if worn or damaged.****Failure to comply can affect the tool's operation and present a safety hazard.**