



**IMPULSE IM250S Li  
16/14G STRAIGHT  
FINISH NAILER  
B20710**



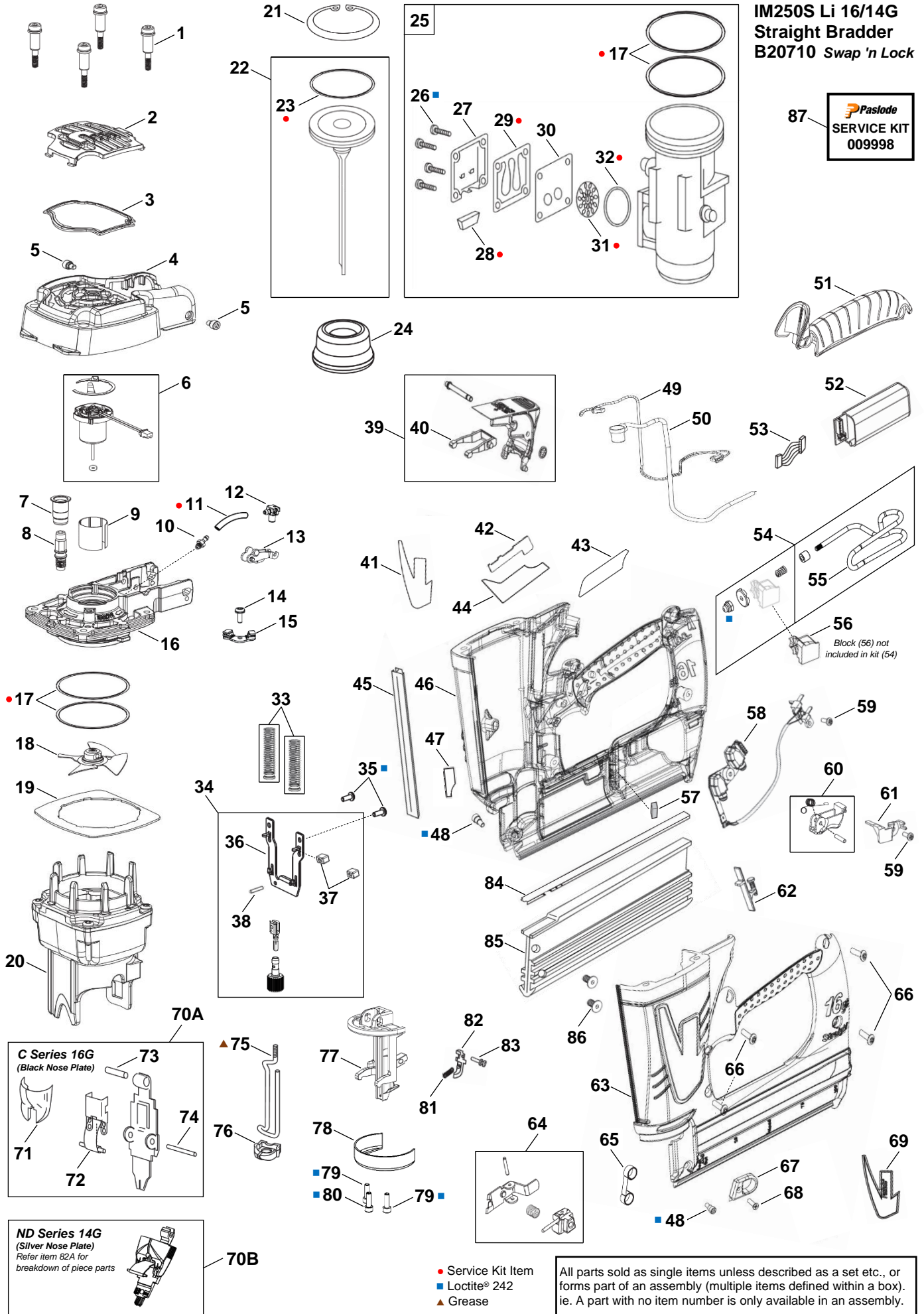
---

**ILLUSTRATED PARTS LIST**

---

**IM250S Li 16/14G  
Straight Bradder  
B20710 Swap 'n Lock**

**87**  **SERVICE KIT  
009998**



- Service Kit Item
- Loctite® 242
- ▲ Grease

All parts sold as single items unless described as a set etc., or forms part of an assembly (multiple items defined within a box). i.e. A part with no item number is only available in an assembly.

## PARTS LEGEND

## PASLODE IM250S Li 16/14G S&amp;L STRAIGHT BRADDER

B20710

1	901064	4	Screw SHC 8-32 x 1-3/8	47	902416	1	Label, Depth of Drive Indicator
2	904555	1	Grill	■ 48	900792	2	Screw SHC 8-32 x 15/32 (Yellow)
* 3	900648	1	Filter	49	904562	1	Wire Lead Assembly, Fan Motor
4	902446	1	Cap	50	904567	1	Spark Wire Lead Assembly
5	904557	2	Screw SHC (Yellow)	51	901044	1	Grip
6	901382	1	Motor Assembly, Fan	52	902440	1	Electronic Spark Unit (ESU)
7	900785	1	Insulator, Spark Plug	53	900662	1	Wire Ribbon Assembly, ESU Power
8	900714	1	Spark Plug Assembly	→ 54	902471A	1	Hook Assembly, Belt (RPLS 902432, 902433, 902434, 902435)
9	401356	1	Sleeve, Fan Motor	55	902471	1	Hook & Stop Assy, Belt
10	904517	1	Fuel Barb	56	902431	1	Block
● 11	904546	1	Fuel Tube	57	902621	1	Pad, Battery
12	902406	1	Fuel Block	58	902439	1	Circuit Board Assembly
13	904521	1	Arm, Pivot	59	404702	2	Screw TF 6-32 x 3/8
14	900596	1	Screw TX SEMS 8-32 x 7/16	60	901082	1	Trigger Assembly (RPLS 901047, 901053)
15	900739	1	Circuit Board Assy, Cylinder Head	61	900629	1	Bracket, Retaining
16	904504	1	Cylinder Head	62	900726	1	Slide Switch Assembly
*● 17	900612	4	Ring, Cylinder Head & Sleeve	63	903602	1	Handle LH
18	900709	1	Fan Assembly	64	902041	1	Follower Assembly (RPLS 900691, 900720, 900722, 902002)
19	900700	1	Air Dam	65	900627	1	Spring, Negator
20	900729	1	Combustion Chamber Assembly	66	901066	4	Screw, Plastite 8-16 x 3/4
21	403099	1	Circlip, Piston	67	902008	1	Body, Follower
* 22	900728	1	Driver & Piston Assembly	68	900724	1	Screw, Plastite 8-16 x 5/8
*● 23	403098	1	Ring, Piston	69	903506	1	Label, Logo LH
24	900680	1	Bumper, Piston	70A	902050	1	Nose Plate Assy, 16G C Series (Black) (RPLS B20544T, 902047)
25	902456	1	Sleeve Assembly	70B	902051	1	Nose Plate Assy, 14G ND Series (Silver) (RPLS B20544U, 902048)
■ 26	405140	4	Screw 8-32 x 3/8 (Red)	71	900688	1	Cover, Latch
27	900668	1	Cover, Muffler	72	900786	1	Lever & Spring Assy, Latch
*● 28	900609	1	Muffler	73	900619	1	Pin, Nose Plate Assembly
*● 29	900664	1	Reed Valve	74	900685	1	Pin, Latch
30	900665	1	Reed Plate	▲ 75	903603	1	Probe
*● 31	901089	1	Disk, Pre-Filter Baffle	76	B20544N	1	No Mar Tip (3 Pack) (RPLS 900702)
*● 32	900616	1	O-Ring, Exhaust	77	902001	1	Nose
33	900804	2	Spring & Guide Assy	78	900692	1	Flange, Retaining
34	902429	1	Yoke, Knob & Guide Assembly	■ 79	900708	2	Screw SHC 8-32 x 1/2 (Red)
■ 35	900746	2	Screw TX 8-32 x 7/16	■ 80	900754	1	Screw SHC 8-32 x 1/2 (Yellow)
36	900704	1	Yoke	81	900631	1	Spring, Lockout
37	900707	2	Bumper, Probe	82	900602	1	Bar, Lockout
38	900734	1	Pin, Roll	83	900630	1	Pin, Lockout
→ 39	904550A	1	Fuel Door Assembly (RPLS 901119, 902230, 904550)	84	902007	1	Channel, Brad
40	904544	1	Lever, Dosing	85	902033	1	Magazine
41	903505	1	Label, Logo RH	■ 86	900660	2	Screw 10-32 x 3/8 (Red)
42	902402	1	Label, Li-ion+Fuel	87	009998	AR	Service Kit
43	903611	1	Label, Data Plate				
** 44	903604	1	Label, Warning & Instruction				
45	900620	1	Channel, Handle Half Joint				
46	903601	1	Handle RH				

\* Normal Wear Items

\*\* Ensure Warning Label is affixed and legible

● Included in Service Kit

■ Apply Loctite® 242 (Blue)

▲ Apply grease to threads

→ New Change

AR As Required

**Remove battery & brads before comencing service****Use eye and ear protection when operating/testing tools.****Use eye protection when cleaning tools.****Use degreaser in a well ventilated area**

**WARNING: All parts must be periodically inspected and replaced if worn or damaged.  
Failure to comply can affect the tool's operation and present a safety hazard.**

# ACCESSORIES

---

## Battery

Part No. B20543A



---

## Battery Charger system (Australia/New Zealand)

Battery Charger Kit (Shown)  
Transformer  
Charger Base

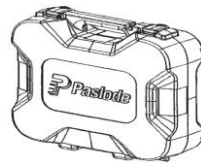
Part No. B20543B  
Part No. B20543C  
Part No. 902661



---

## Carry Case

Part No. 905640  
(RPLS 902445)



Replacement Latch  
(Square Global Case 905640)

Part No. 219463

Replacement Latch  
(Oval Case 902445)

Part No. 219233

---

## 9/64" Hex Key

For servicing and clearing jams.

Part No. 900736



---

## T7 Torx Key

For Fan grub screw

Part No. 900183



---

## Short Brad Guide

Used for Brads 15-32mm

Part No. 013720



Replacement Screw

Part No. 013613

---

## Paslode Impulse Lubricating Oil

Specially formulated for use in  
Paslode® Impulse tools.

Part No. B20544F



---

## Impulse Tool Cleaner/Degreaser

Recommended cleaner for all  
Paslode®

Part No. B20544L



---

  
www.paslode.com.au

  
www.paslode.co.nz

## Change Notes

### Revision 0

Item	Part No.	Item/Description	Change	Action/Change Description
73*	901045	Trigger Body	Availability	Item not available in ANZ from release. POA 60, Trigger Assembly 901082

### Revision 1

Item	Part No.	Item/Description	Change	Action/Change Description
27*	902437	Knob & Guide Assembly	Availability	POA <sup>1</sup> 66, Yoke, Knob & Yoke Guide Assembly 902429
29*	900702	No Mar Tip		Replaced by item 76, No Mar Tip (3 Pack) B20544N
72*	901053	Trigger Spring	Availability	POA 54, Trigger Assembly 901082
74*	901047	Trigger Pin		
86*	900722	Follower Pin		
87*	902002	Follower		
88*	900691	Spring		
90*	900720	Follower Core		
98A*	B20544T	Nose Plate Assy C Series Kit	Format	Replaced by item 98 PN 902050
98B*	B20544U	Nose Plate Assy ND Series Kit		Replaced by item 98A PN 902051
99*	902626	Label, Battery On-Off	Design	Obsolete (Mid 2018)
52	902440	Electronic Spark Unit (ESU)	Enhancement	Rev.D (<1330/0203, RPLS Rev. A-C). No PN change (2013)
Acc	B20544H	12V Car Adapter	Availability	Discontinued
Acc	902445	Carry Case		Replaced by Global Case 905640
N/A	Various	Assemblies/Flag Notes	Schematic	Defined available ANZ assemblies Added Service Kit & Kit item flags Added Loctite® & grease flags
N/A	Various	Parts/Notes	Parts Legend	Removed parts no longer available separately Added missing/new assembly PNs Added Service Kit & Kit item flags Updated PN changes Adopted conventional naming Updated Loctite® and item usage
N/A	Various	Accessories	Accessories	Defined available ANZ Accessories - Removed Product Nose Plate Assemblies - Added Carry Case Latch PNs - Added 9/64 Hex Key - Added T7 Torx Key - Added Short Brad Guide Assy & replacement Screw

<sup>1</sup> Purchase on Assembly

\*Item numbering per previous revision

### Revision 2

Item	Part No.	Item/Description	Change	Action/Change Description
6*	901119	Ring, Retaining (Fan motor)	Availability	POA <sup>1</sup> 6, Fan Motor Assembly 901382
32*	902047	Nose Plate, 16G C (Black)		POA 70A, Nose Plate Assy, 16G C (Black) 902050
32A*	902048	Nose Plate, 14G ND (Silver)		POA 70B, Nose Plate Assy, 14G ND (Silver) 902051
33	904550A	Fuel Door Assembly		Fuel Door Assembly introduction
51*	902230	Fuel Door Pin		POA, Fuel Door Assembly 904550A
53*	904550	Fuel Door		
54*	902235	Fuel Door Retaining Ring		
48	902471A	Belt Hook Assembly		Belt Hook Assembly introduction
55*	902434	Nut		POA, Belt Hook Assembly 902471A
56*	902433	Button		
58*	902432	Spring		
59*	902435	Stop		
N/A	Various	Various	Schematic	Complete layout re-design & re-numbering for clarity Defined available ANZ assemblies
N/A	Various	Parts/Notes	Parts Legend	Removed parts no longer available separately

<sup>1</sup> Purchase on Assembly

\*Item numbering per previous revision