



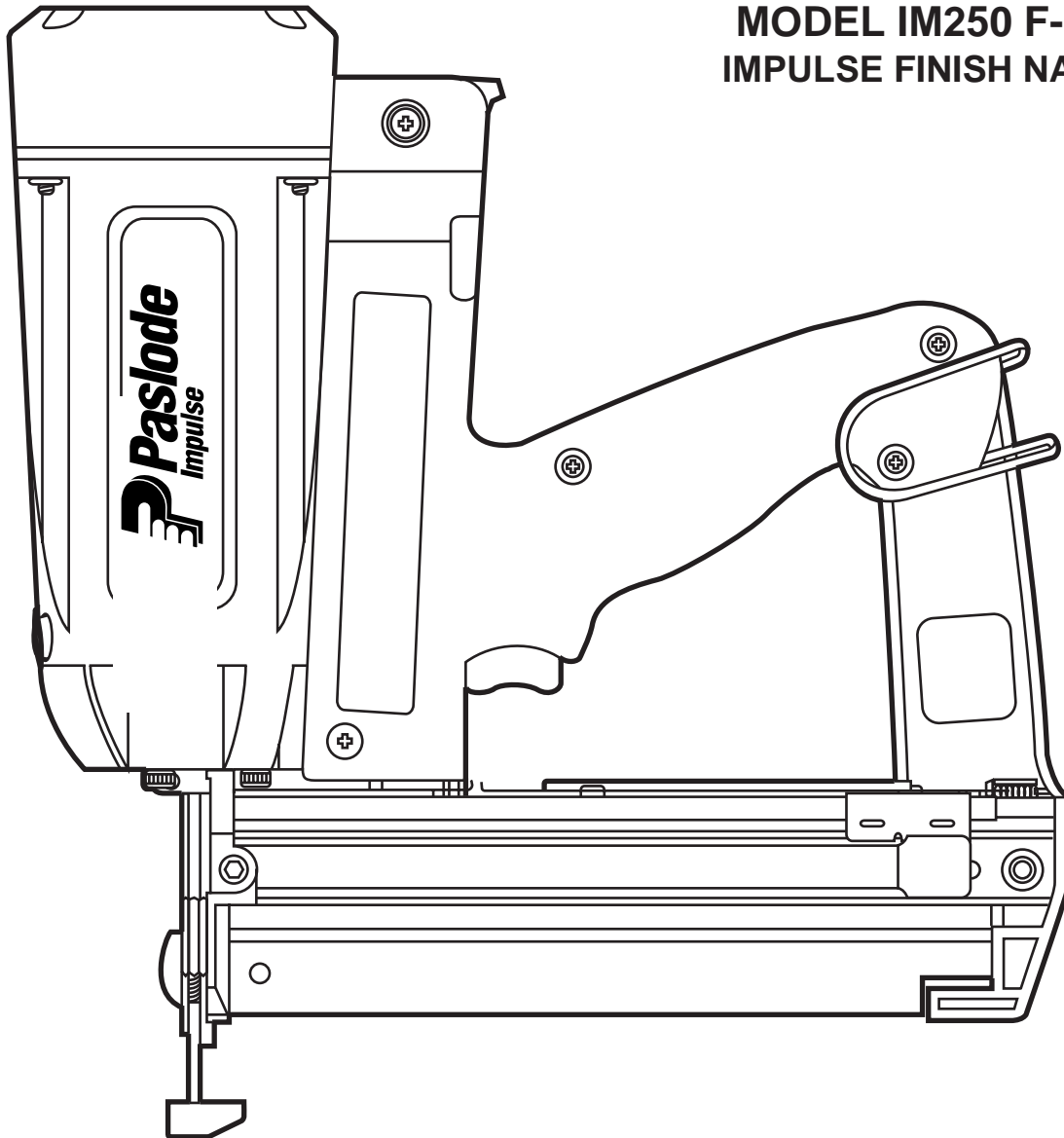
MACHINE CODE : B20574

Model: IM250 II

Part No. 900400

Impulse 16 Gauge Finish Nailer

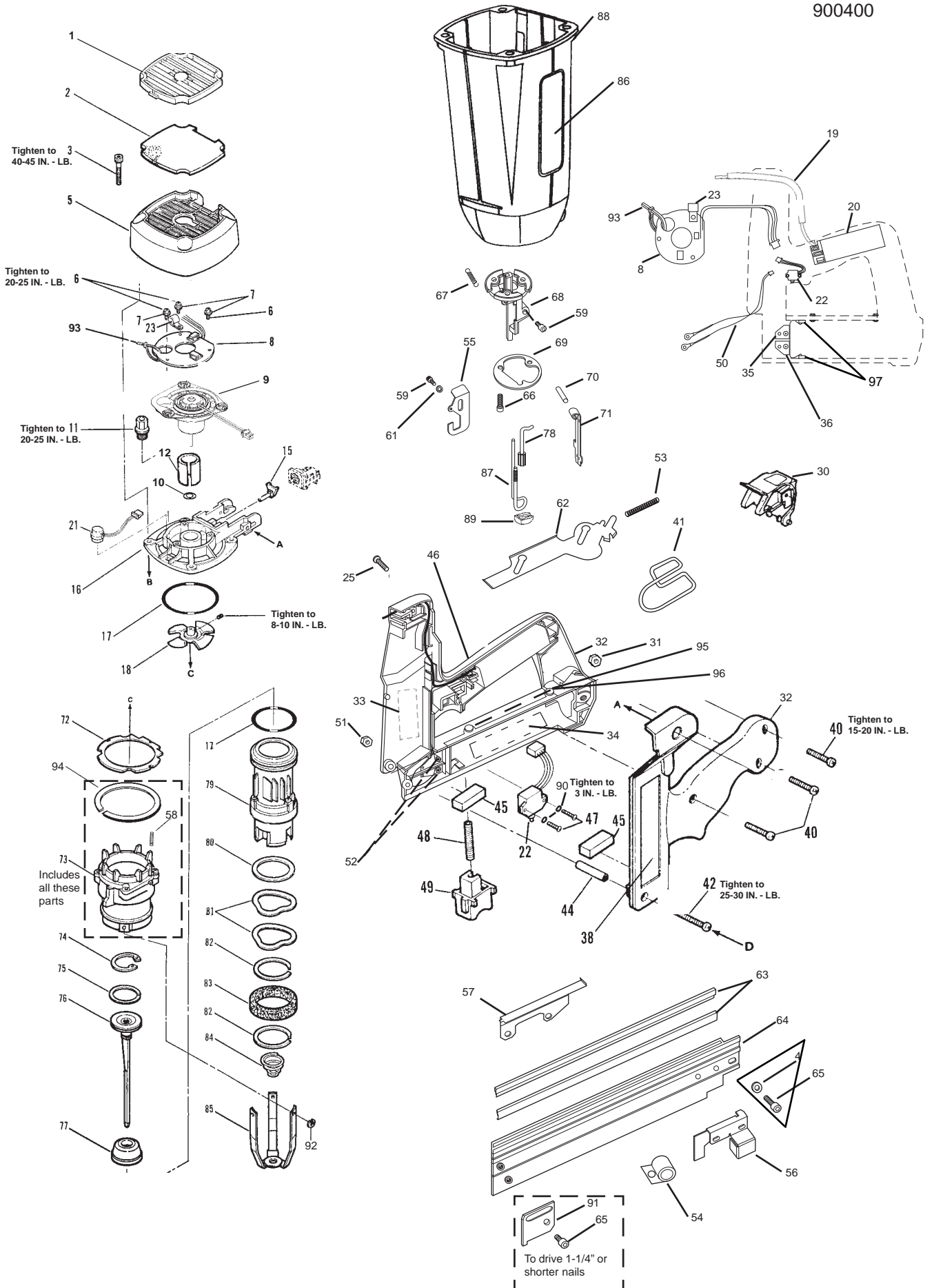
**MODEL IM250 F-16 II
IMPULSE FINISH NAILER**



TOOL SCHEMATIC AND PARTS

**IMPORTANT!
DO NOT DESTROY**

Always refer to operators manual #405606 for detailed information on this tool. It is the customers responsibility to have all operators and service personnel read and understand this information.



PARTS LEGEND

IM250 F16 TYPE II

B20574 (MK1)

→ 1		1 Grill (Discontinued)	50		NP Wire, Contact (Discontinued)
* 2	900455	1 Filter	→ 51		NP Nut 8-32 (Discontinued)
3	901065	4 Screw SHC 10-24 x 1-1/4	52	404702	2 Screw TF 6-32 x 3/8
→ 4		NP Washer, Flat #10 (Discontinued)	53		NP Spring, Cover (Discontinued)
→ 5		NP Cap & Grill Assembly (Discontinued)	→ 54		NP Spring, Negator (Discontinued)
6	900969	3 SCREW TX 8-32 x 5/8 (RPLS 404427)	55		NP Lever, Quick Clear (Discontinued)
7		NP Washer, Lock #8 (Discontinued)	→ 56	900301	NP Pusher/Follower (Discontinued)
→ 8		NP Circuit Board, Fan (Discontinued)	57		NP Cover (Discontinued)
9	900573	1 Motor Assembly, Fan (RPLS 900526)	→ 58		NP Spring, C/Chamber (Discontinued)
10	900468	1 Washer, Motor Shaft	■ 59	009037	1 Screw SHC 10-32 x 1/2 (RPLS 900338)
11	900287	1 Spark Plug Assembly (RPLS 401341)	60		NP Deleted
12	401356	1 Sleeve, Fan Motor	61	900332	1 Hub
13		NP Deleted	→ 62		NP Cover, Brad Channel (Discontinued)
14		NP Deleted	→ 63		NP Wear Strip (Discontinued)
15	403146	1 Stem Adapter (Yellow)	64		NP Rail Assembly (Discontinued)
→ 16		NP Cylinder Head (Discontinued)	65	900900	2 Screw SHC 10-32 x 5/16 (RPLS 900407) (ALT PN 403716)
*● 17	404700	2 O-Ring	■ 66		NP Screw SHC 10-24 x 7/8 (Discontinued)
18	403167	1 Fan Assembly (RPLS 401358)	67		NP Spring, Quick Clear (Discontinued)
19	900583	1 Wire Assy, Ignition Lead (RPLS 900479)	→ 68		NP Nose Assembly (Discontinued)
20	900280	1 Electronic Spark Unit (RPLS 404618)	→ 69		NP Ring, Mounting (Discontinued)
21	404601	1 Head Switch Assembly	70	900353	1 Pin, Pivot
22	900824	1 Trigger Switch Assembly (RPLS 404490)	→ 71		NP Plate, Nose (16G) (Discontinued)
23		NP Cable Clamp (Discontinued)	72		NP Air Dam (Discontinued)
24		NP Deleted	→ 73		NP Combustion Chamber (Discontinued)
→ 25		NP Screw 10-32 x 9/16 (Discontinued)	74	403099	1 Retaining Ring, Piston
26		NP Deleted	*● 75	403098	1 Ring, Piston Seal
27		NP Deleted	76		NP Driver & Piston Assy (Discontinued)
28		NP Deleted	* 77	403094	1 Bumper
29		NP Deleted	78		NP Upper Probe Assembly (Discontinued)
30	900415	1 Fuel Door/Actuator Assembly	→ 79		NP Sleeve Assembly (Discontinued)
→ 31		NP Nut, Lock (Discontinued)	*● 80	403089	1 Washer, Seal
32		NP Handle RH (RPLS 900413) (Discontinued)	*● 81	403090	2 Washer, Wave
→ 33		NP Label, Warning (Discontinued)	82	403092	2 Ring, Retaining (Midcheck)
34	900576	1 Label, Data Plate	*● 83	403091	1 Muffler
→ 35	219496	1 Contact Kit, RH/LH (Pos/Neg) (RPLS 900312, 900311)	→ 84		NP Spring, Chamber Return (Discontinued)
→ 36		NP Deleted	→ 85		NP Cage (RPLS 404335)
→ 37	900943	NP Handle LH (RPLS 900414) (Discontinued)	→ 86		NP Label, Housing Logo (Discontinued)
** 38	900508	1 Label, International Warning	→ 87		NP Probe (Discontinued)
39		NP Deleted	→ 88		NP Housing Assembly (Discontinued)
40	900453	3 Screw TF 8-16 x 7/8	89	B20544N	1 No Mar Tip (3 Pack) (RPLS 900352, 900702)
→ 41		NP Hook, Belt (Discontinued)	90		NP Washer, Trigger Switch (Discontinued)
→ 42		NP Screw 8-32 x 1 1/2 (Discontinued)	91		NP Guide, Short Brad (Discontinued)
43		NP Washer (Obsolete)	92	403713	3 E-Ring
→ 44		NP Bush (Silver) (Discontinued)	93		NP Cable Tie (Discontinued)
45	401450	2 Pad, Foam	94		NP Ring, Head Switch (Discontinued)
→ 46		NP Light Pipe (LED Lens)	95		NP Insert, Handle (Discontinued)
→ 47		NP Screw PH TF 2-56 x 5/8 (Discontinued)	96		NP E-Ring (Discontinued)
48		NP Spring, Trigger (Discontinued)	97	404922	2 PAD, BATTERY
→ 49		NP Trigger (Discontinued)	→ 98	010001	AR Service Kit

* Normal Wear Items

** Ensure Warning Label is affixed and legible

● Included in Service Kit

■ Apply Loctite® 242 (Blue)

→ New Change

NP Non Procurable

AR As Required

Remove battery & brads before comencing service.**Use eye and ear protection when operating/testing tools.****Use eye protection when cleaning tools.****Use degreaser in a well ventilated area.****WARNING: All parts must be periodically inspected and replaced if worn or damaged.
Failure to comply can affect the tool's operation and present a safety hazard.**

ACCESSORIES

Battery

Part No. B20544E



Battery Charger system (Australia/New Zealand)

Battery Charger Kit (Shown)
Transformer
Charger Base

Part No. B20544B
Part No. B20544C
Part No. B20544D



Carry Case

Part No. 900488 (D)
(Discontinued)



Replacement Latch

Part No. 219233

9/64" Hex Key

For servicing and clearing jams.

Part No. 900736



T7 Torx Key

For Fan grub screw

Commercially available



Paslode Impulse Lubricating Oil

Specially formulated for use in
Paslode® Impulse tools.

Part No. B20544F



Impulse Tool Cleaner/Degreaser

Recommended cleaner for all
Paslode®

Part No. B20544L

