



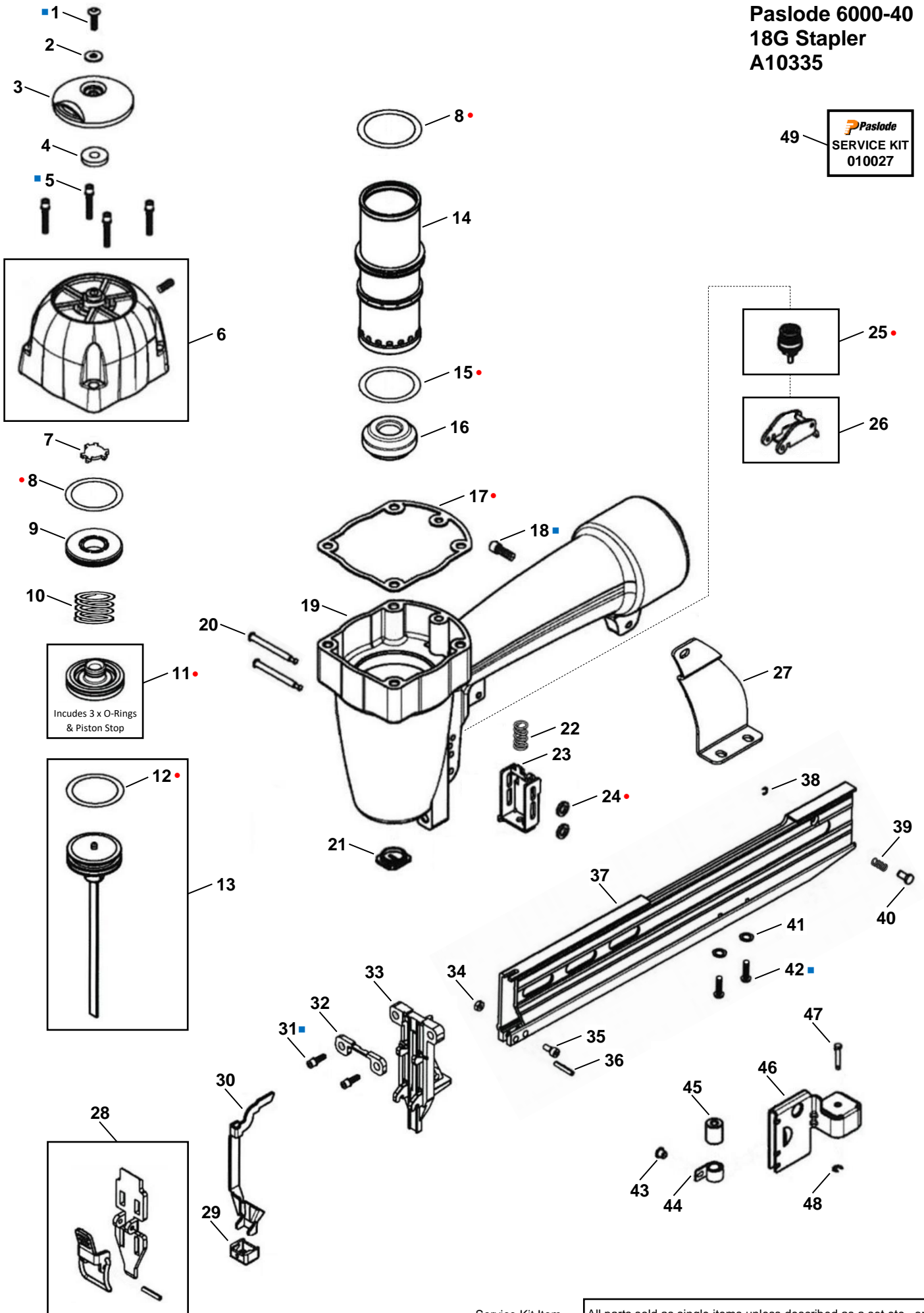
**PNEUMATIC 6000-40
18G STAPLER
A10335**



ILLUSTRATED PARTS LIST

Paslode 6000-40 18G Stapler A10335

49  **Paslode**
SERVICE KIT
010027



• Service Kit Item
■ Loctite® 242

All parts sold as single items unless described as a set etc., or forms part of an assembly (multiple items defined within a box). ie. A part with no item number is only available in an assembly.

PARTS LEGEND

PASLODE 6000-40 STAPLER

A10335

■ 1	720300	1 Screw UH	26	721033	1 Trigger Assembly (Black) (Duel Bump & Sequential - Fixed)
2	721058	1 Washer, Flat (RPLS 721096)	27	720341	1 Bracket
3	720301	1 Cover, Exhaust	28	720326	1 Nose Plate Assembly
4	720302	1 Washer PU	29	720321	1 Probe/Safety Lever
■ 5	720303	4 Screw SHC SEMS	30	720322	1 No Mar Tip
6	720305	1 Cap (& Set Screw)	■ 31	720146	2 Screw SHC SEMS
7	720306	1 Stopper, Piston	32	720324	1 Plate, Nose Support
* ● 8	720307	2 O-Ring	33	720323	1 Nose
9	720308	1 Collar, Main Valve	34	720033	1 Nut, Lock (x2 Pre AUG/2014)
10	720309	1 Spring	35	720013	1 Screw SHC (x2 Pre AUG/2014)
* ● 11	720310	1 Main Valve Assembly	36	720345	1 Pin, Roll (Post AUG/2014)
* ● 12	720311	1 O-Ring, Piston	37	720329	1 Magazine
* 13	720312	1 Driver & Piston Assembly	38	905588	1 E-Ring (RPLS 720335)
14	720313	1 Cylinder	39	720334	1 Spring
* ● 15	720314	1 O-Ring	40	720333	1 Pin, Stop
* 16	720315	1 Bumper	41	905573	2 Washer, Spring (RPLS 720332)
* ● 17	720316	1 Gasket, Cap	■ 42	721050	2 Screw UH
■ 18	720318	1 Screw SHC SEMS	43	720331	1 Anchor
19	720317	1 Body, Housing	44	720338	1 Spring, Negator
20	721025	2 Pin, Step	45	720337	1 Drum, Roller
21	720319	1 Seal, Driver	46	720336	1 Follower (Pusher)
22	721022	1 Spring	47	720339	1 Pin, Negator
23	720320	1 Guide, Safety Lever	48	720340	1 E-Ring
* ● 24	OR01919N	2 O-Ring (RPLS 721020)	49	010027	AR Service Kit
* ● 25	720346	1 Valve Assembly, Trigger			

- * Normal Wear Items
- Included in Service Kit
- Apply Loctite® 242 (Blue)
- New Change
- AR As Required

Accessories supplied in box

- 1 x 30ml Oil
- 1 x 3mm Hex Key
- 1 x 4mm Hex Key
- 1 x Safety Glasses

Tool supplied with 1/4 NTP Nitto® style air adaptor (installed)

Optional accessories:

Universal nylon tool carry bag PN 502934



Use eye protection when cleaning tools.

Use eye and ear protection when operating/testing tools.

Use only approved Paslode Compressor Tool Oil PN F27625.

Never use mineral based oils.

Oil tool daily with 4 to 6 drops via air inlet connection.

Heavy usage will require more frequent oiling.

Operating air pressure at the tool inlet: 410-690 kpa (60-100 psi).

Never exceed the maximum stated air pressure.

Regularly check the regulator and pressure gauge operation.

A water/oil trap must be installed on the regulator outlet and drained regularly.

Never use bottled air or gases such as oxygen to operate the tool.



WARNING: All parts must be periodically inspected and replaced if worn or damaged. Failure to comply can affect the tool's operation and present a safety hazard.

Change Notes

Revision 1

Item	Part No.	Item Description	Change	Action/Change Description
N/A	720342	O-Ring	Availability/ Manufacturing	POA ¹ 12, Main Valve Piston Assembly 720310
N/A	720343			
N/A	720344			
21*	N/A	Logo Label	Availability	Non procurable
22	721020	O-Ring	Format	Replaced by OR01919N
29*	721027	Head, Valve	Availability	POA ¹ 32, Trigger Valve Assembly 720346
30*	721032	Spring		
31*	721028	Stem		
32*	720149	O-Ring		
33*	721030	O-Ring		
34*	721031	Guide		
35	720033	Lock Nut (x1)	Design	Top nut & bolt replaced by roll pin 720345 for greater retention. Incorporated on tools post August 2014.
36	720013	Bolt SHC (x1)		
37	720345	Pin, Roll		
39	720335	E-Ring	Format	Replaced by 905588
42	720332	Spring Washer		Replaced by 905573

Revision 2

Item	Part No.	Item Description	Change	Action/Change Description
5*	720304	Set Screw	Availability	POA 7, Cap 720305
38	720325	Nose Plate		
39	720327	Latch		
40	720328	Roll Pin		POA ¹ 28, Nose Plate Assembly 720326
	Various	Assemblies/Flag Notes	Schematic	Complete layout re-design & re-numbering for clarity Defined available ANZ assemblies Added Service Kit & Kit item flags Updated Loctite [®] flags
	Various	Parts/Notes	Parts Legend	Adopted conventional naming Added Safety data Updated Loctite [®] and item usage Added Service Kit & Kit item flags
	Various	Accessories	Accessories	N/A

¹ POA - Purchase on Assembly

*Item number refers to previous revisions